



UM 6025 / UM 6030 Gras seed drill

Instruction and spare parts

Edition	2025
Revised	01.01.2025
Language	ENG

Original user manual

Warranty

This Underhaug product is warranted against manufacturing and material defects for a period of one year.

Components not manufactured by Underhaug, such as electrical and hydraulic equipment, power take-off (PTO) shafts, and tires, are covered according to the original manufacturer's warranty terms

Limited warranty for specific components:

Due to their functional nature, the following components have limited warranty coverage:

Tires, blades, blade tips, shear bolts, fuses, and hydraulic seals in pumps, motors, valves, and cylinders, etc.

Wear and tear resulting from normal use is considered standard for these parts.

Warranty for these components is therefore limited to manufacturing defects such as breakage, deviations in design, or transport damage identified on new machines.

If damage is believed to be covered under the product warranty, the owner or the owner's representative must inform the dealer when requesting parts or repair work. Warranty claims must be reported within the warranty period.

The dealer must complete a claim form for each warranty case and submit it to Underhaug's sales company/importer by the 10th of the month following the report of the damage.

Damaged parts must be labelled with the claim number and retained for up to six months to allow Underhaug's sales company/importer to inspect them.

As the use of Underhaug products occurs outside the manufacturer's control, we can only guarantee the product's quality, not its performance or any resulting damages.

Warranty exclusions:

The warranty may be voided if:

- a) non-original spare parts are used, or the product is repaired or modified without Underhaug's approval.
- b) The manufacturer's operating and service instructions are not followed.
- c) The machine is used for purposes other than those intended.

The warranty does not cover damage caused by wear and tear.

Public safety regulations require the manufacturer of this machine to carefully assess the safety of its correct use. Therefore, Underhaug and our importer/sales company cannot be held responsible for the function of components not listed in the spare parts catalogue for this product.

Underhaug reserves the right to make design changes without obligation to update previously delivered machines.



Contents

General safety	pg. 4-8
Supplementary safety	pg. 9
Machine applications	pg. 10-13
Spare parts	pg. 14-17
EU Declaration of conformity	pg. 18

Safety

Before operating the machine

Before operating, adjusting, or repairing the machine, the user, repairer, and owner must familiarize themselves with the safety instructions provided in this manual (Fig 1). Be attentive and cautious when working with agricultural machinery. Read and take note of the safety instructions in this manual.

Safety at work is your responsibility

General safety instructions

Exercise caution when other people or animals are nearby

Never start the machine when people or animals are close to the machine and tractor. Never stand between the tractor wheels and the machine (Fig 2).

Be aware of regulations concerning the operation of agricultural machinery by minors.

Using the machine

The machine should only be used for its intended purpose.

Use personal protective equipment

Do not wear loose clothing that could get caught in moving parts of the machine. Use an approved mask in dusty working conditions (Fig 3).

Be aware of the dangers of high noise levels. Some tractor-implement-combinations may under certain conditions produce noise levels above 85 dB, even inside soundproofed cabs. In such cases, hearing protection must be used. Keep the tractor's windows and doors closed to reduce the noise level around the driver

Ensure proper tractor compatibility

The tractor's weight must match the machine's maximum working weight. Follow applicable public regulations (Fig 4).

Verify that the correct PTO gear ratio is connected. A machine designed for 540 RPM must never be connected to a tractor with a 1000 RPM. PTO engaged the machine's standard. PTO speed is indicated on a label near the power transmission system.

Important safety symbol



Pay special attention to this symbol. It indicates a safety hazard and outlines precautions to avoid accidents.

This symbol may appear throughout this manual and on warning labels on the machine. They are there for your safety and must be noted.

Connecting the tractor and machine

Always follow the instructions in the manual when connecting the machine. If the connection is made by an agricultural hitch, one part (tractor or machine hitch) must have a clevis design. The hitch pin must be secured with a locking pin (Fig 5).

Follow applicable regulations for road transport

Some countries require the use of safety chains when transporting a towed machine.

Think safety while working

The tractor engine should be stopped and the ignition key removed before performing any repair work, lubrication, or other maintenance on the machine. (Fig. 6).

Protective covers

Ensure that all covers are in good condition and properly mounted. Do not attempt to start the machine until this has been done. Damaged covers should be repaired or replaced immediately. (Fig. 7). Pay special attention to all protective covers related to the power take-off shafts. Replace damaged covers. Safety chains must always be attached to the machine and/or tractor to prevent the protective sleeves from rotating.

Hydraulics

Be cautious when handling hydraulic systems. Wear eye protection and gloves. Oil released under high pressure can penetrate the skin and cause serious internal damage. Seek medical attention if you have been exposed to such injury. (Fig. 8).

Ensure that no one is near the machine when hydraulic functions are operated

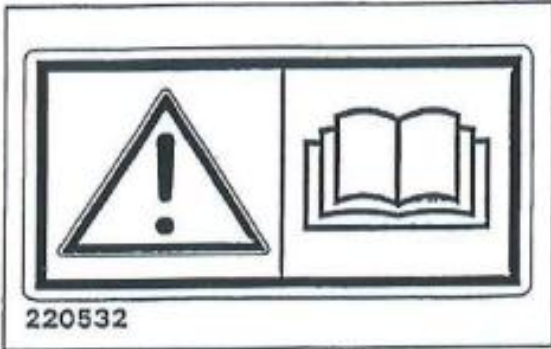


Fig. 1



Fig. 2



Fig. 3

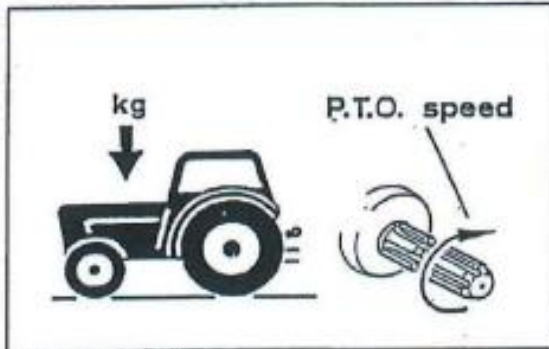


Fig. 4

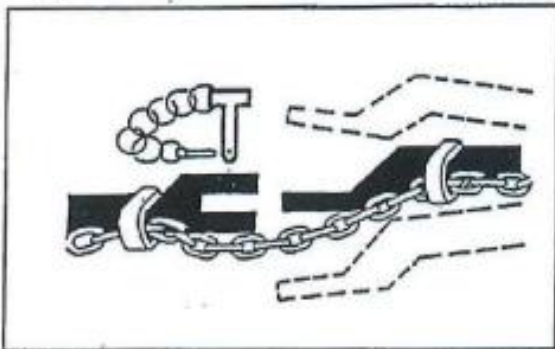


Fig. 5



Fig. 6

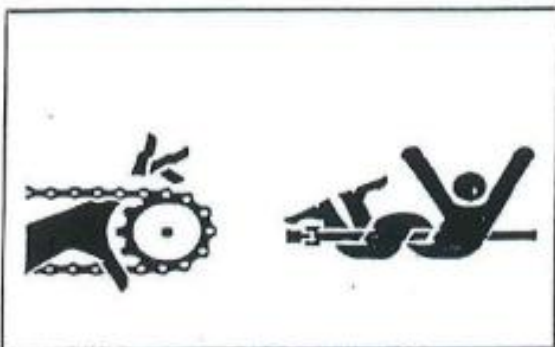


Fig. 7



Fig. 8

When disconnecting the machine and leaving the tractor/machine

Set all hydraulic functions to the neutral position when disconnecting the machine. Lower the movable working components to the ground or set them in the transport position and secure them. If the machine is equipped with parking blocks, these should be used. Do not allow children to play or remain near agricultural machines. (Fig. 9).

Drive safely

Remember, you are responsible – carelessness and negligence can cause serious injury or even death. (Fig. 10).

Check the wheel bolts and the connection

between the machine and tractor before transport on public roads. Also disconnect the hydraulic system.

Drive carefully. Reduce speed in turns and when driving on uneven surfaces. Ensure that the towed machine does not move uncontrollably sideways.

Be aware of the tipping hazard when driving on slopes and on soil with low bearing capacity. Reduce the load.

Lights

The owner/operator is responsible for equipping the machine with the correct sound and reflectors when driving on public roads. Follow public regulations. (Fig. 11).

Safety equipment

Always carry first aid equipment in the tractor. Follow public regulations regarding fire extinguishing equipment. When working with flammable materials such as hay and straw, fire extinguishing equipment must always be available. (Fig. 12).

Spare parts

For safety reasons, we recommend using only original spare parts. The product warranty is invalid if non-original parts are used. (Fig. 13).

Maintenance

Ensure that the machine is properly maintained and kept in good condition. Never make modifications to the machine's technical design. (Fig. 14).



Fig. 9

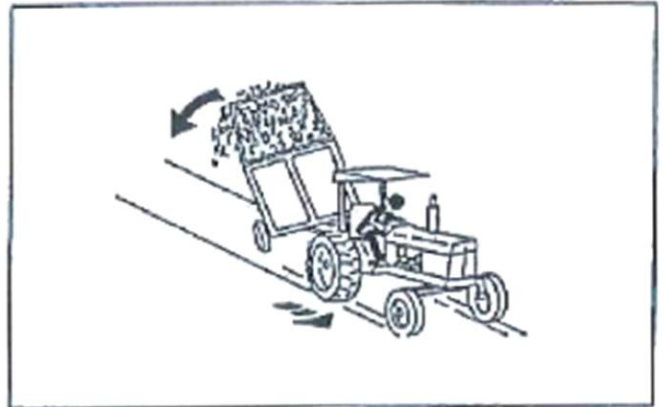


Fig. 10

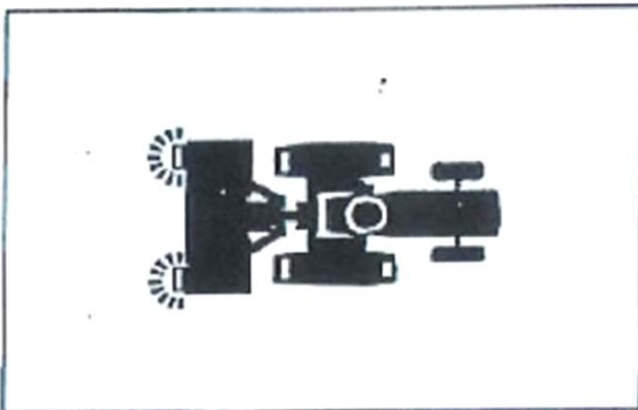


Fig. 11

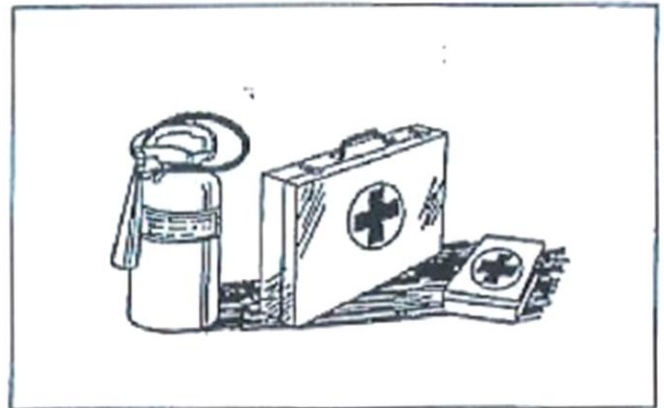


Fig. 12

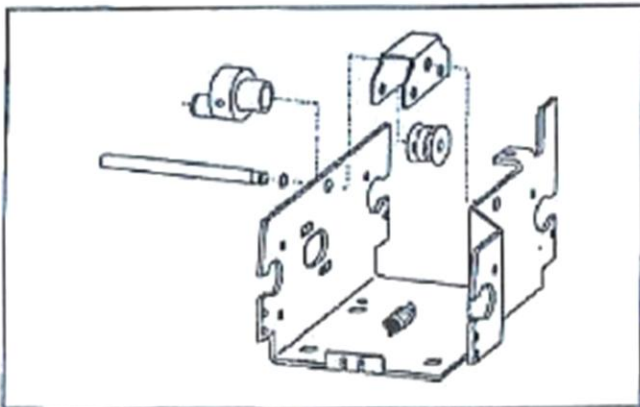



Fig. 13



Fig. 14

Instructions for UM 6025 UM 6030 Gras seed drill

This machine is marked with this  warning sign. If the sign is damaged, it must be replaced.

Warning sign 220532 (Fig. 1). Caution. Read and understand the instruction manual before using the equipment, and before making adjustments or performing maintenance.

Warning sign 220538 (Fig. 2). Due to the high risk of crushing, it is essential to keep people at a safe distance when the equipment is in use.

Warning sign 220537 (Fig. 3). When the equipment is mounted on the rear of the tractor or on a loader, ensure no one walks underneath the equipment. Also, avoid lifting the equipment too high, as this may cause the load to fall off or the tractor to tip over.



Fig. 1

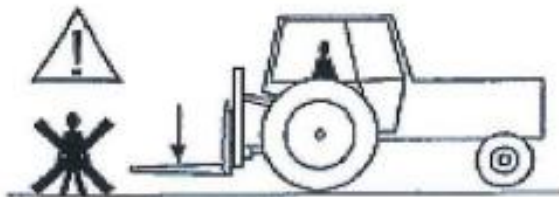


Fig. 2



Fig. 3

Betjeningsplass for operatør:



Machine application

Technical details

Working width:	2.5 m or 3.0 m
Max. width:	2.95 m or 3.45 m
Seedbox:	90 liter (2,5 m) and 105 litre (3,0 m)
Row spacing:	12 cm
No. of seed units:	21 pcs (2,5 m) and 25 pcs (3,0 m)
Machine weight:	145 kg (2,5 m) and 200 kg (3,0 m)

Operating a new machine

The seed drill is delivered fully assembled from the factory, except for the rear harrow, which must be installed manually. The machine is securely strapped to a transport pallet. Once the packing straps are released, the machine can be carefully lifted off the pallet and attached to the tractor's three-point hitch.

Installing the rear harrow

The rear harrow is installed by placing it on the tines located at the back of the machine and securing it with locking bolts and pins in the respective holes on the mounts already fitted to the machine (see image, Fig. 1). The angle of the rear harrow can be easily adjusted to achieve the desired level of tine aggressiveness. These simple steps ensure quick assembly and easy adaptation of the machine to the working conditions.



Fig. 1

Seed box

The seed drill is equipped with a seed box specifically designed for sowing grass seeds. Inside the seed box, a dedicated stirring shaft ensures even distribution of the seeds and prevents clumping. The seeding system operates on a push-shaft principle. The metering rollers have longitudinal rollers and can be adjusted in and out of the seed units to dispense varying seed quantities.

The longitudinal shaft, on which the metering rollers are mounted, is adjusted by a screw handle located inside the protective cover on the left side of the seed box. The screw handle is locked into the desired position. The seed rollers and stirring shaft are driven by the machine's right wheel, with the motion transmitted via gears and chains. Most moving parts in the seed box are made from a durable plastic material, ensuring minimal maintenance and long service life.



Adjusting seed output

The characteristics of a seed variety can change from year to year and are also influenced by humidity. Therefore, it is recommended to perform a calibration test before starting sowing to ensure the desired seeding rate is accurate. We always recommend conducting a calibration test!

Calibration test

1. The adjustment handle is located at the end of the seed box and features a scale ranging from 0-21. Each turn of the handle corresponds to a 3 mm adjustment of the metering rollers. Turning the handle clockwise decreases the seed rate, while turning it counterclockwise increases it.
2. Ensure that the gears are correctly set and lift the machine using the tractor's hydraulic system.
3. Place a plastic sheet under the machine or wrap a large plastic bag or similar material around the outlet of one of the metering hoses to easily collect and weigh the discharged seeds. Turn the drive wheel until seeds are dispensed from all outlets. For the test, always rotate the drive wheel while it is in a free-hanging position above the ground. Return the collected seeds to the seed box, and you can now proceed with the actual calibration test.
4. Rotate the crank handle on the seed shaft or the drive wheel the required number of turns to simulate 0.5 decares of sowing:
 - For a 2.5 m machine: 154 rotations of the drive wheel.
 - For a 3.0 m machine: 127 rotations of the drive wheel.

Collect and weigh the discharged seeds. Adjust the handle clockwise to reduce output or counterclockwise to increase it.

5. Repeat the calibration test until the desired seeding rate is achieved.
6. **IMPORTANT!** When the seed units are set to maximum output (with the grooved rollers fully inserted), ensure the rollers do not press against the seed unit wall. Turn the adjustment handle back by half a turn to avoid this.

Troubleshooting

Adjustment Handle Feels Tight

There may be sand or debris in the threads of the adjustment handle or the seed rollers. Clean thoroughly if necessary and apply silicone spray for lubrication.

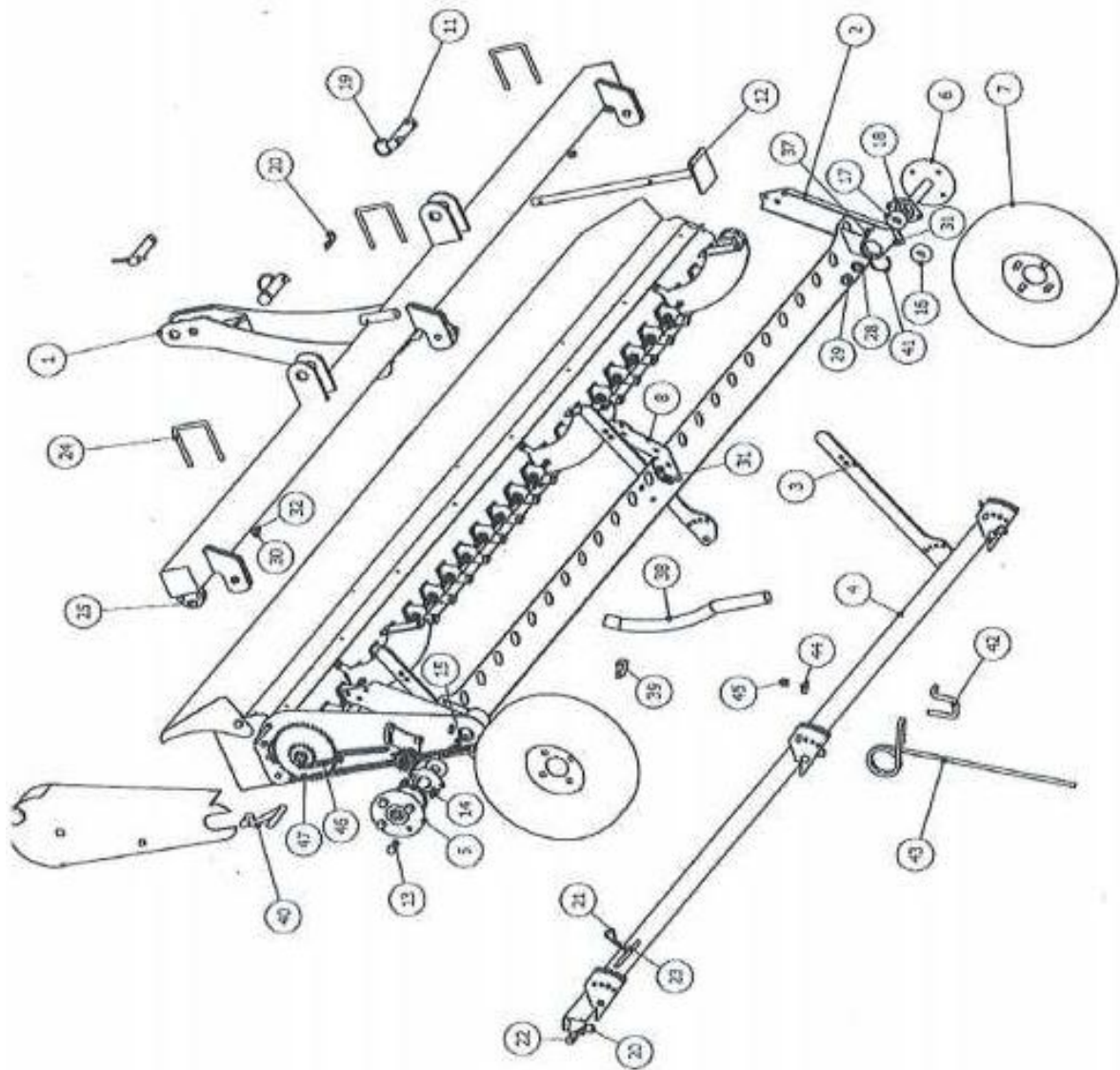
Seed Rate Changes During Sowing

Check for play or wear between the seed shaft and the adjustment handle. If needed, adjust by adding an extra spring washer to eliminate slack.

Uneven Output from a Single Seed Unit

This should not typically occur, as the seed rollers are factory-adjusted. However, a seed roller may shift due to impact or vibration. If a roller is slightly out of position, adjust it back to align with the others. Foreign objects in a seed unit may also cause irregular output and should be removed.

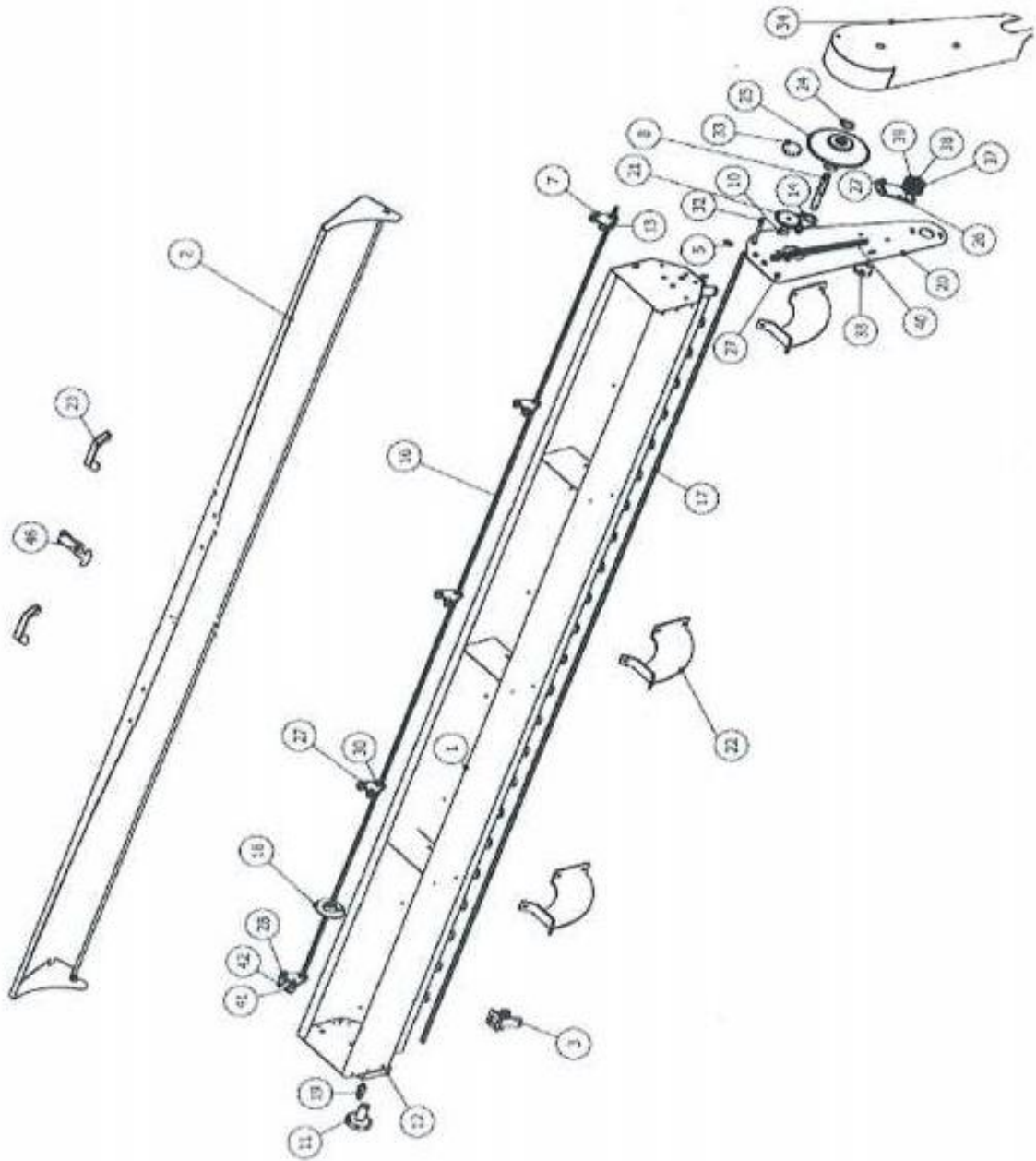
FIGUR 18



SPARE PARTS FIGURE 18

Ref.	Part No.	Qty UM6025	Qty UM6030	Description
1	140114	-	1	Boom welded UM6030
18	140169	1	-	Boom welded UM6025
2	140148	-	1	Drive wheel mount UM6030
2B	140165	1	-	Drive wheel mount UM6025
3	140142	3	3	Pendulum arm
4	140147	-	1	Beam for rear harrow UM6030
3B	140167	1	-	Beam for rear harrow UM6025
5	140133	1	1	Drive wheel axle
6	140138	1	1	Wheel axle left
7	140135	2	2	Wheel 4.80/4.00-8 COMPLETE
8	140180	1	1	Brace
9	140110	-	1	Seed box COMPLETE UM6030 (see figure 19)
9B	140190	1	-	Seed box COMPLETE UM6025 (see figure 19)
10	190058	1	1	Top link bolt
11	190908	2	1	Drawbar bolt
12	140159	1	1	Parking foot
13	140172	8	8	Wheel bolt
14	140134	1	1	Double sprocket
15	866436	2	2	Spring pin 8x35
16	870822	2	2	Ball bearing 6304 2RS
17	870727	2	2	Ball bearing 6205 2RS
18	UH215101	2	2	Bearing housing
19	867061	3	3	Split pin 12
20	867005	4	4	Spring pin 5x97
21	867053	3	3	Spring pin 3x67
22	140149	3	3	Suspension shaft
23	140150	3	3	Locking pin
24	190172	3	3	Shackle 80x80
25	813520	6	6	Hex screw M10x20
26	150017	2	2	End plug 80x80
27	190067	2	2	End plug 40x40
28	190062	2	2	Washer M16
29	917206	2	2	Locknut M16
30	852160	15	15	Locknut M10
31	852158	7	7	Locknut M8
32	860160	6	6	Washer M10
33	860158	8	8	Washer M8
34	813416	3	3	Hex screw M18x16
35	813530	2	2	Hex screw M10x30
36	813435	1	1	Hex screw M8x35
37	813630	4	4	Hex screw M8x25
38	140151	21	25	Drop tube
39	190181	21	25	Hose clamp 25-40 mm
40	190047	1	1	Crank handle welded
41	868552	2	2	Retaining ring I52
42	140145	21	25	Mounting bracket
43	140156	21	25	Tine
44	140181	21	25	Washer for tines
45	852162	21	25	Locknut M12
46	140183	1	1	Chain link 1/2" x 5/16, 5.5 links
47	140184	1	1	Drive chain 1/2" x 5/16, 43 links
48	T921509	3	3	Chain lock 1/2" x 5/16

FIGUR 19



PARTS LIST FIGURE 19

Ref.	Part No.	Qty 140190	Qty 140110	Description
1	140109	-	1	Seed box UM6030
1B	140173	1	-	Seed box UM6025
2	140108	-	1	Lid UM6030
2B	140163	1	-	Lid UM6025
3	190440	21	25	Seed housing
4	813520	2	2	Hex screw M10x20
5	860160	6	6	Washer M10
6	852160	2	2	Locknut M10
7	190280	1	1	Support bearing COMPLETE
8	190178	1	1	Axle extension
9	190278	2	2	Stop ring for stirring shaft
10	190286	1	1	Spacer washer
11	190407	1	1	Adjusting wheel
12	190408	1	1	Thread arm
13	190410	1	1	Stop ring for feeding shaft
14	190434	1	1	Supprt. bearing with ball bearing
15	190443	4	4	Supprt. bearing for stirring shaft
16	190457	-	1	Stirring shaft UM6030
16B	190455	1	-	Stirring shaft UM6025
17	190458	-	1	Feeding shaft UM6030
17B	190456	1	-	Feeding shaft UM6025
18	190445	21	25	Flat washer
19	190406	1	1	Locking pawl for adjusting wheel
20	140119	1	1	Inner screen
21	190279	1	1	Chain sprocket for stirring shaft
22	140111	3	3	Mounting bracket
23	190903	2	2	Lid handle
24	140155	2	2	Spacer bushing
25	140130	1	1	Gear set COMPLETE
26	190900	1	1	Chain tensioner
27	813420	17	17	Hex screw M8x20
28	852158	2	22	Locknut
29	860158	15	15	Washer M8
30	241091	4	4	Bearing liner
31	860200	2	2	Countersunk hex screw M8x25
32	813410	2	2	Hex screw M8x100 full thread
33	855360	2	2	Star wheel M8
34	140153	1	1	Chain guard
35	140156	1	1	Sleeve
36	190901	1	1	Ball bearing 6002 2RS
37	190413-32H	1	1	Sprocket 13 teeth
38	860201	1	1	Countersunk hex screw M8x30
39	860160	1	1	Washer M10
40	140182	1	1	Chain 1/2" x 5/16, 13.5 links
41	140185	2	2	Spacer bushing
42	813440	2	2	Hex screw M8x40
43	850162	3	3	Locknut M6
44	813335	3	3	Hex screw M6x35
45	860156	3	3	Washer M6
46	140189	1	1	Lock for lid COMPLETE



EU - DECLARATION OF CONFORMITY

Responsible person

Name	Atle Årslund
Position	General Manager
Company	Underhaug AS
Address	Torlandsvegen 3 4365 Nærbø, NORWAY
Phone	+47 51 43 49 78

Declares that the following machine:

Manufacturer:	Underhaug AS
Type:	<i>UM 6025 UM 6030 Gras seed drill</i>
Serial Number:	
Production Year:	

complies with the following directive:

Maximum regulation 554 (for 2009-05-20-554) and meets essential health and safety requirements.

Basic standard ISO 12100

A handwritten signature in blue ink, appearing to read "Atle Årslund".

Atle Årslund

Nærbø, date



Torlandsvegen 3 – Postboks 183

N-4367 Nærbø, Norge

Tlf: +47 51 43 49 78

Email: post@underhaug.no

www.underhaug.no