

GLOBUS



GRS 300 ROLLER 1-row

User manual and spare parts

Underhaug

WELCOME AS A UNDERHAUG CUSTOMER!

Congratulations on purchasing a Globus product! Before using the equipment, we ask that you carefully read the user manual. You should keep this manual and pass it along if you sell the product to others.

Underhaug manufactures a wide range of products, including stone pickers, stone rakes, seeders, round bale forks, pallet forks, harrows, Cambridge rollers, crosskill rollers, snow blowers, potato machines, excavation buckets, quick coupler attachments, and other construction equipment for excavators.

If you would like to learn more about our products, you can visit our website at www.underhaug.no or contact us by phone or email.

Our goal is for you to be a satisfied Globus customer. To achieve this, we focus on quality and user-friendly products. In collaboration with our dealers, we aim to solve any problems that may arise and guarantee the supply of spare parts for 10 years.

Underhaug is a forward-looking company, and we are committed to continuous product development. We would appreciate receiving feedback from you as a customer. Both positive and negative experiences help strengthen our development and make our products better. Please feel free to send us ideas or suggestions for product modifications or additional equipment via email at arild@underhaug.no. All suggestions will be considered during future product upgrades.

We recommend that you fill out the necessary information about the product you have acquired in the table below. This will make it easier and faster to handle any inquiries for spare parts and/or additional equipment. It is also helpful in case of a product warranty claim.

Best regards,
Underhaug AS

PRODUKT INFORMATION:

| | |
|-----------------------------------|--|
| Art. no.: (see type plate) | |
| Serial no.: (see type plate) | |
| Production year: (see type plate) | |
| Purchase date: | |
| Distributer: | |

Underhaug AS
Rev. 1.1
01.01.2025

DECLARATION OF CONFORMITY

Producer: Underhaug AS
Address: Torlandsveien 3
4365 Nærbø
N-NORWAY

We hereby declare under our own responsibility that the following product:

Type: *GRS 300 Roller 1-row*
Serial No.:

Year of Manufacture: 2023->

covered by this declaration, complies with the following standards:

- **NS/EN ISO 13857: 2008**
- **NS/EN 13021: 2003 + A1: 2008**
- **NS/EN ISO 12100: 2010**
- **Directive 2006/42/EC**

Nærbø, January 2025



Sales manager Arild Høien

CONTENT

| | | |
|----------|--------------------------------|-------------|
| 1 | Introduction | Side |
| | Welcome as customer | 2 |
| | Declaration of conformity | 3 |
| | Content | 4 |
| 2 | Safety | |
| | Instruction of use | 5 |
| | Caution | 5 |
| | Crushing hazard | 5 |
| | Safety labeling | 6 |
| 3 | Product Information | |
| | Intended use | 7 |
| | Construction and functions | 7 |
| | Technical data | 7 |
| 4 | Assembly and Connection | |
| | Assembly | 7 |
| | Connection | 7 |
| 5 | User Tips | |
| | User tips | 8 |
| 6 | Maintenance | |
| | Maintenance | 8 |
| | Retightening | 8 |
| | Replace wear parts | 8 |
| | Color code | 8 |
| 7 | Warranty | |
| | Warranty terms | 9 |
| 8 | Spare parts | |
| | Spare parts | 10 |
| | Maintenance Overview | 12 |
| | Notes | 13 |

2 SAFETY

2.1 Instructions for Use

Anyone using a Globus drum must familiarize themselves with the contents of the user manual before operating the machine.

2.2 Caution

Ensure that no person is within the machine's working area. Stones, soil, and other foreign objects affected by the machine can cause damage to people, vehicles, buildings, and other objects.

2.3 Risk of Crushing

If something gets jammed in the machine, always stop the engine and remove the key from the ignition before starting any cleaning. Be aware of the risk of crushing when stones come loose from a jammed position or when working with the machine's hydraulic functions.

2.4 Risk of Crushing During Operation

Ensure that no one is near the drum when it is in use. When the drum is rotating, it poses a significant crushing hazard that can lead to serious injury.

2.5 Risk of Crushing During Adjustment

Ensure that no one is near when the single-lane drum is being adjusted from working to transport position. Crushing can occur between the drum and the tractor when it is lifted, as the hitch may cause it to move sideways from the centre.

Be aware of the crushing hazard when the drum is lowered into the working position.

2.6 Uncontrolled Movements

To avoid uncontrolled movements of the machine when using hydraulic functions, the oil flow should be reduced on the tractor.

2.7 Repairs

Before performing any maintenance or repairs, always stop the engine and remove the key from the ignition or disconnect the drum from the tractor. Never stay under machinery hanging from the tractor's hydraulics. Always ensure the machine is supported or parked securely before starting work.

2.8 Dust and Noise

The machine makes noise during use, so be aware of this and always use hearing protection when working with the drum. Dust and other particles stirred up during use can be harmful to inhale. Always wear a dust mask or similar protective equipment in such cases.

2.9 Safety Labels

All Globus drum models are equipped with various warning signs indicating measures that must be taken to avoid injury and accidents. The symbol appears on warning labels located in different places on the machine. These are shown in the images below.

If the labels are removed from the machine, new ones can be provided by the manufacturer or dealer.



Read the instruction manual.



When performing repairs, the key should always be removed from the ignition.



Crushing hazard from hinged parts, keep a safe distance.



Crushing hazard to feet, keep a safe distance.

3 PRODUCT INFORMATION

3.1 Area of Use

The Globus single-lane drum can be used for surface treatment after sowing or for rolling meadows.

All drums require skilled operation, and the user manual should be read before connection and operation, even if one has experience with similar machines.

3.2 Construction and Functions

The Globus single-lane drum is equipped with Cambridge rings, built on a solid frame with a three-point hitch. The working height is adjusted with the tractor's three-point linkage. The hitch is designed with a flexible intermediate section to allow some swinging motion.

3.3 Technical Data

The Globus single-lane drum is delivered with a transport and working width of 3.0m.

| | |
|------------------------|----------------|
| Model | GRS 300 |
| Working width | 3,0m |
| Transport width | 3,0m |
| Ring diameter | 50cm |
| Weight | 1040kg |

4 ASSEMBLY AND CONNECTION

4.1 Assembly

The Globus single-lane drums are delivered with the hitch unassembled for transport width reasons. It is easily assembled by inserting the two included bolts.

4.2 Connection

- Ensure that no one is between the tractor and the drum during the connection process.
- Globus single-lane drum
 - Reverse the tractor towards the machine and stop the engine before attaching the drawbars to the three-point hitch. Use the tractor's stabilizing rods to avoid uncontrolled sideways movements during operation.

5 USER TIPS

5.1 User Tips for Single-Lane Drum

- Rolling should be done after sowing on a dry surface.
- Assess the field to be rolled and, if possible, adjust the driving pattern to avoid excessive overlap and driving on already rolled surfaces.
- To avoid tractor tire tracks, it is recommended to use dual wheels at the rear.
- Choose a speed that ensures steady progress, as this will make the job easier. However, adjust the speed according to the conditions.
- Be cautious of larger stones. Large stones can damage the rings if the speed is not reduced, or the stones are not removed.

6 MAINTENANCE

6.1 Retightening

After a few hours of operation, all screw connections should be checked and retightened where necessary. This should then be checked regularly.

6.2 General Maintenance

When performing repairs, always ensure that the drum is in either the working position or transport position, with no pressure on the hydraulic hoses. Also, make sure to adequately support the machine before starting work.

6.3 Replacing Wear Blades (Spring Harrow)

Ensure that the spring harrow is not under load and is adequately supported. The wear blades are attached with two bolts on the teeth. Loosen the bolts and ensure to use new nuts when installing the new blades. This is because locknuts are used that cut into the threads when mounted, making them less effective the second time.

6.4 Lubrication Points

The foot and/or flange bearings should be lubricated daily during use.

6.5 Paint Code

The paint color code is red RAL 3000.

7 WARRANTY TERMS

7.1 Warranty

Globus AS guarantees that the product, including all parts, is manufactured in accordance with applicable specifications and is free from material or manufacturing defects for a period of 12 months from the date of sale. The date of sale is considered the invoice date. A receipt for the paid invoice serves as the warranty certificate.

7.2 Valid Warranty

For the warranty to be valid, the following conditions must be met:

- The product must be set up and used in accordance with the user manual and warnings provided by the manufacturer or dealer.
- Warranty claims must be made in writing to the dealer or manufacturer immediately after the fault occurs and within the warranty period.
- Written and/or photographic documentation must be provided regarding the fault. This documentation must also include information about the product's model name/serial number/year of manufacture.

When a warranty is approved, a time and place for the repair will be agreed upon, and necessary parts will be sent to the dealer. Costs for rectifying faults covered by the warranty will be defined by the manufacturer.

7.3 What is Covered by a Valid Warranty

- The warranty covers the repair of breaks, faults, or deficiencies in the product or its components.
- The warranty covers defects caused by material failure, manufacturing errors, assembly issues, or subsequent errors due to lack of testing and inspection that should have been performed by the manufacturer.
- The warranty covers new parts delivered free of charge to the dealer under standard shipping terms. If the parts are needed more quickly, the additional cost must be covered by the customer.

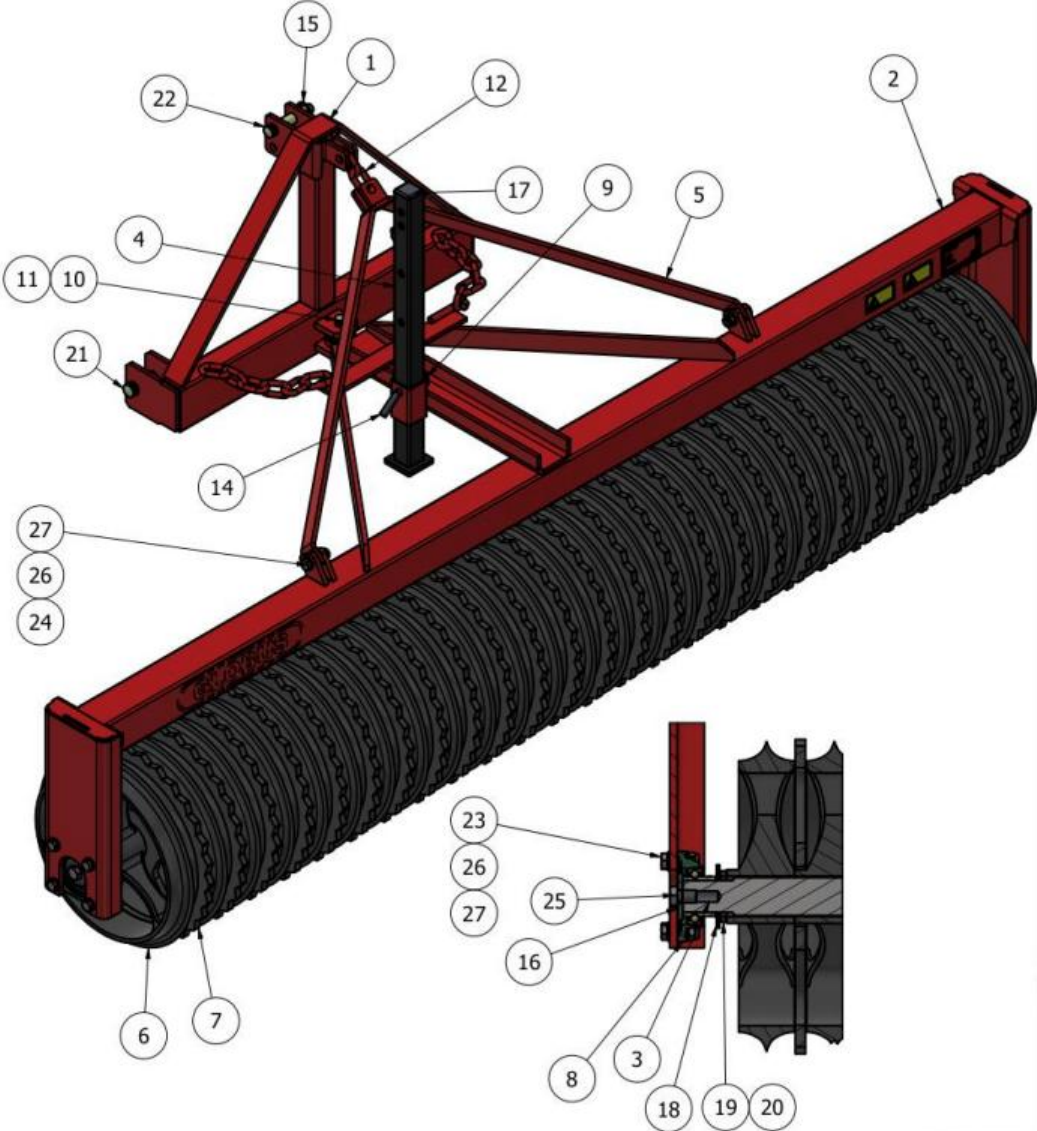
7.4 Invalid Warranty

- The warranty is invalid if faults or damages to the product arise due to improper use, such as failure to follow the instructions in the user manual.
- The warranty is invalid if the product is used for purposes other than those described.
- The warranty is invalid if non-original spare parts are used or if the required maintenance has not been carried out. Documentation of maintenance may be requested.

7.5 What is Not Covered by a Warranty

- The warranty does not cover financial losses due to downtime.
- The warranty does not cover consequential damage caused by improper use.
- The warranty does not cover normal wear and tear.
- The warranty does not cover transportation costs between the customer and dealer for repairs.
- The warranty does not cover travel, meals, or accommodation for service personnel. The product must be transported to the nearest dealer, or alternatively, the customer must cover the travel, meals, and accommodation costs for service personnel if the warranty work is performed at the product's location.

8 SPARE PARTS



| POS: | Art. no: | Qty. | Description: |
|------|--------------------|------|-----------------------------|
| 1 | 970800 | 1 | Lift welded |
| 2 | 970315 | 1 | Frame for M48550T M5046T |
| 3 | 130134 | 1 | Shaft for side Ø60 |
| 4 | 970029 | 1 | Support legs welded |
| 5 | 970026 | 1 | Top link hoop welded |
| 6 | G-129992 | 26 | Sliding ring Ø500-60 |
| 7 | G-129993 | 25 | Cog ring Ø60/Ø500 |
| 8 | G-010567 | 2 | Flange bearing FY 50 TF |
| 9 | G-010702 | 1 | Ring splint Ø6 x 45 mm |
| 10 | G-500127 | 1 | Cat. 1 draw bolt 22 x 72 mm |
| 11 | G-010704 | 1 | Ring splint Ø8 x 45mm |
| 12 | G-970306 | 1 | Chain long linked 2 links |
| 13 | G-500246 | 2 | Bolt 19 x 54 mm cat. 1 |
| 14 | 970049 | 1 | Bolt D-16 |
| 15 | 921702 | 3 | Hazel pin 10 x 40 mm |
| 16 | 971272 | 2 | Washer |
| 17 | 970032 | 1 | Plug |
| 18 | 970038-1 | 4 | Spring plate |
| 19 | 970039-1 | 1 | Spacing pipe (10) |
| 20 | 970039-2 | 1 | Spicing pipe (15) |
| 21 | 190908 | 2 | Draw bolt S 5033 |
| 22 | 190058 | 1 | Top link bolt Ø25-97mm |
| 23 | DIN 933 – M16 x 50 | 8 | Hex. bolt |
| 24 | DIN 933 – M16 x 60 | 2 | Hex. bolt |
| 25 | DIN 933 – M20 x 30 | 2 | Hex. bolt |
| 26 | DIN 985 – M16 | 10 | Hex. nut |
| 27 | DIN 125 – A17 | 20 | Washer |
| 28 | DIN 125 – A21 | 2 | Washer |
| 29 | ISO 8752 – 6 x 40 | 1 | Spring – Straight |



WWW.UNDERHAUG.NO

PRODUCER:

**UNDERHAUG AS
4365 Nærbø
N-NORWAY**