



## **UM 7762 COMBIGRIP**

### **User manual and spare parts**

Edition	2025
Revised	07.01.2025
Language	ENG

Original user manual

## Warranty

This Underhaug product is warranted against manufacturing and material defects for a period of one year.

Components not manufactured by Underhaug, such as electrical and hydraulic equipment, power take-off (PTO) shafts, and tires, are covered according to the original manufacturer's warranty terms.

### Limited Warranty for Specific Components:

Due to their functional nature, the following components have limited warranty coverage:

Tires, blades, blade tips, shear bolts, fuses, and hydraulic seals in pumps, motors, valves, and cylinders, etc.

Wear and tear resulting from normal use is considered standard for these parts.

Warranty for these components is therefore limited to manufacturing defects such as breakage, deviations in design, or transport damage identified on new machines.

If damage is believed to be covered under the product warranty, the owner or the owner's representative must inform the dealer when requesting parts or repair work. Warranty claims must be reported within the warranty period.

The dealer must complete a claim form for each warranty case and submit it to Underhaug's sales company/importer by the 10th of the month following the report of the damage.

Damaged parts must be labelled with the claim number and retained for up to six months to allow Underhaug's sales company/importer to inspect them.

As the use of Underhaug products occurs outside the manufacturer's control, we can only guarantee the product's quality, not its performance or any resulting damages.

### Warranty Exclusions:

The warranty may be voided if:

- a) non-original spare parts are used, or the product is repaired or modified without Underhaug's approval.
- b) The manufacturer's operating and service instructions are not followed.
- c) The machine is used for purposes other than those intended.

The warranty does not cover damage caused by wear and tear.

Public safety regulations require the manufacturer of this machine to carefully assess the safety of its correct use. Therefore, Underhaug and our importer/sales company cannot be held responsible for the function of components not listed in the spare parts catalogue for this product.

Underhaug reserves the right to make design changes without obligation to update previously delivered machines.



# Contents

<b>General Safety</b> .....	pg. 4-8
<b>Supplementary Safety</b> .....	pg. 9
<b>Machine Applications</b> .....	pg.10-11
<b>Spare Parts</b> .....	pg.12-13
<b>EU Declaration of Conformity</b> .....	pg. 14

## Safety

### Before operating the machine

Before operating, adjusting, or repairing the machine, the user, repairer, and owner must familiarize themselves with the safety instructions provided in this manual (Fig 1). Be attentive and cautious when working with agricultural machinery. Read and take note of the safety instructions in this manual.

Safety at work is your responsibility

### General safety instructions

Exercise caution when other people or animals are nearby

Never start the machine when people or animals are close to the machine and tractor. Never stand between the tractor wheels and the machine (Fig 2).

Be aware of regulations concerning the operation of agricultural machinery by minors.

### Using the machine

The machine should only be used for its intended purpose.

### Use personal protective equipment

Do not wear loose clothing that could get caught in moving parts of the machine. Use an approved mask in dusty working conditions (Fig 3).

Be aware of the dangers of high noise levels. Some tractor-implement-combinations may under certain conditions produce noise levels above 85 dB, even inside soundproofed cabs. In such cases, hearing protection must be used. Keep the tractor's

windows and doors closed to reduce the noise level around the driver

### Ensure proper tractor compatibility

The tractor's weight must match the machine's maximum working weight. Follow applicable public regulations (Fig 4).

Verify that the correct PTO gear ratio is connected. A machine designed for 540 RPM must never be connected to a tractor with a 1000 RPM. PTO engaged the machine's standard. PTO speed is indicated on a label near the power transmission system.

### Important safety symbol



Pay special attention to this symbol. It indicates a safety hazard and outlines precautions to avoid accidents.

This symbol may appear throughout this manual and on warning labels on the machine. They are there for your safety and must be noted.

### Connecting the tractor and machine

Always follow the instructions in the manual when connecting the machine. If the connection is made by an agricultural hitch, one part (tractor or machine hitch) must have a clevis design. The hitch pin must be secured with a locking pin (Fig 5).

### Follow applicable regulations for road transport

Some countries require the use of safety chains when transporting a towed machine.

**Think safety while working**

The tractor engine should be stopped and the ignition key removed before performing any repair work, lubrication, or other maintenance on the machine. (Fig. 6).

**Protective covers**

Ensure that all covers are in good condition and properly mounted. Do not attempt to start the machine until this has been done. Damaged covers should be repaired or replaced immediately. (Fig. 7). Pay special attention to all protective covers related to the power take-off shafts. Replace damaged covers. Safety chains must always be attached to the machine and/or tractor to prevent the protective sleeves from rotating.

**Hydraulics**

Be cautious when handling hydraulic systems. Wear eye protection and gloves. Oil released under high pressure can penetrate the skin and cause serious internal damage. Seek medical attention if you have been exposed to such injury. (Fig. 8).

**Ensure that no one is near the machine when hydraulic functions are operated.**

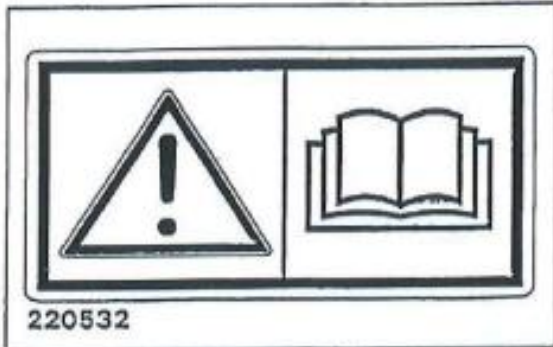


Fig. 1

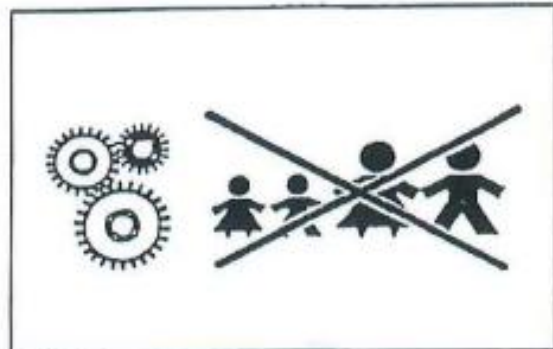


Fig. 2



Fig. 3

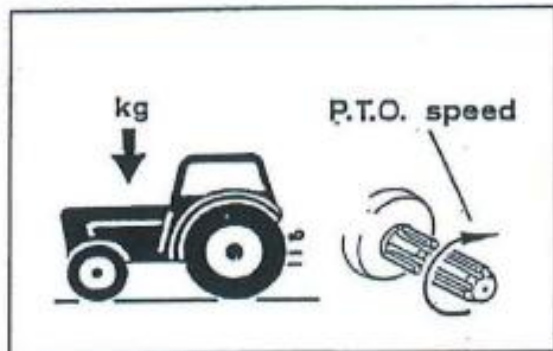


Fig. 4

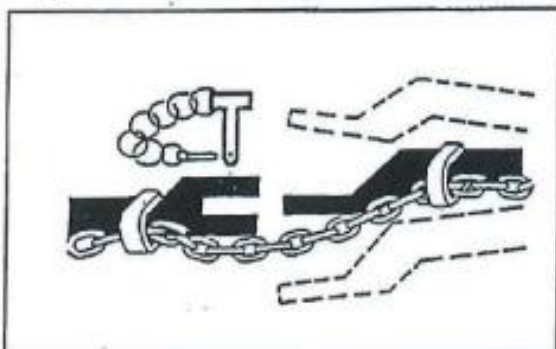


Fig. 5

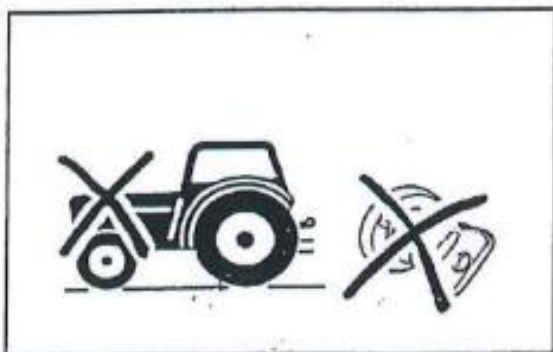


Fig. 6

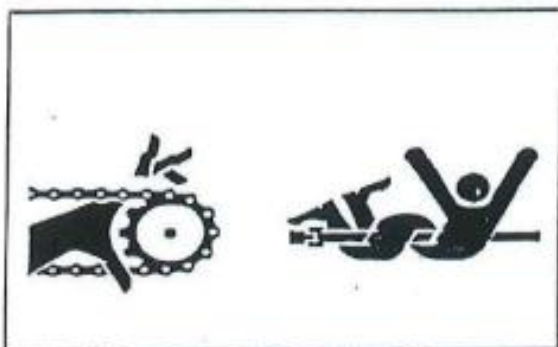


Fig. 7



Fig. 8

### **When disconnecting the machine and leaving the tractor/machine**

Set all hydraulic functions to the neutral position when disconnecting the machine. Lower the movable working components to the ground or set them in the transport position and secure them. If the machine is equipped with parking blocks, these should be used. Do not allow children to play or remain near agricultural machines. (Fig. 9).

### **Drive Safely**

Remember, you are responsible – carelessness and negligence can cause serious injury or even death. (Fig. 10).

### **Check the wheel bolts and the connection**

between the machine and tractor before transport on public roads. Also disconnect the hydraulic system.

Drive carefully. Reduce speed in turns and when driving on uneven surfaces. Ensure that the towed machine does not move uncontrollably sideways.

Be aware of the tipping hazard when driving on slopes and on soil with low bearing capacity. Reduce the load.

### **Lights**

The owner/operator is responsible for equipping the machine with the correct sound and reflectors when driving on public roads. Follow public regulations. (Fig. 11).

### **Safety equipment**

Always carry first aid equipment in the tractor. Follow public regulations regarding fire extinguishing equipment. When working with flammable materials such as hay and straw, fire extinguishing equipment must always be available. (Fig. 12).

### **Spare parts**

For safety reasons, we recommend using only original spare parts. The product warranty is invalid if non-original parts are used. (Fig. 13).

### **Maintenance**

Ensure that the machine is properly maintained and kept in good condition. Never make modifications to the machine's technical design. (Fig. 14).



Fig. 9

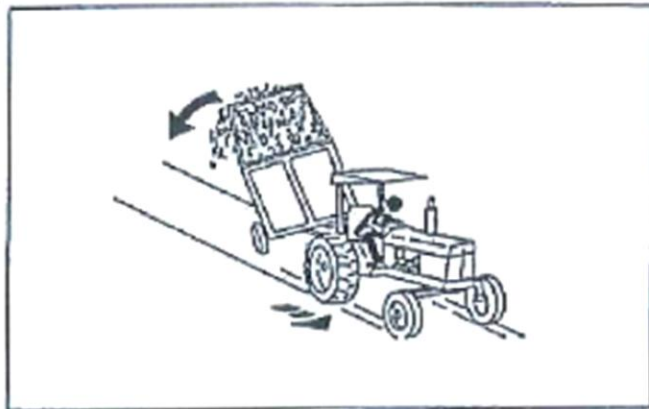


Fig. 10

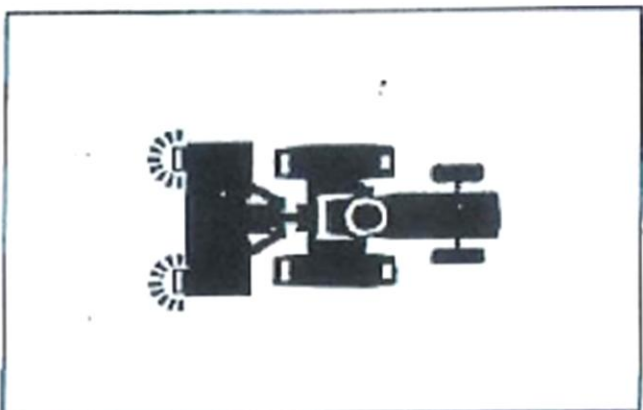


Fig. 11

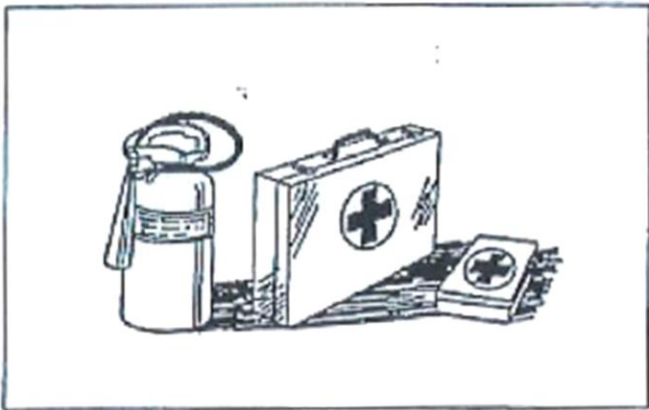


Fig. 12

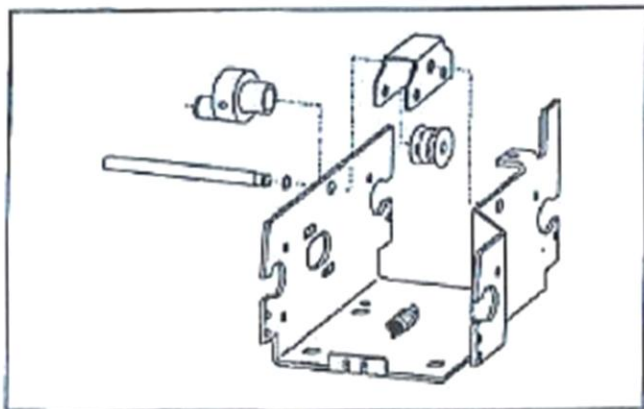



Fig. 13



Fig. 14

## Instructions for UM 7762 Combigrip

This equipment is marked with this  warning sign. If the sign is damaged, it must be replaced. Warning sign 220532 (fig. 1). Remember! Read and understand the instruction manual before using the equipment and before adjusting and performing maintenance.

**Warning Sign 220532 (Fig. 1).** Caution. Read and understand the instruction manual before using the equipment, and before adjusting or performing maintenance.

**Warning Sign 220538 (Fig. 2).** Due to the high risk of crushing, it is essential to keep people at a safe distance when the equipment is in use.

**Warning Sign 220537 (Fig. 3).** When the equipment is mounted on the rear of the tractor or on a loader, ensure no one walks underneath the equipment. Also, avoid lifting the equipment too high, as this may cause the load to fall off or the tractor to tip over.



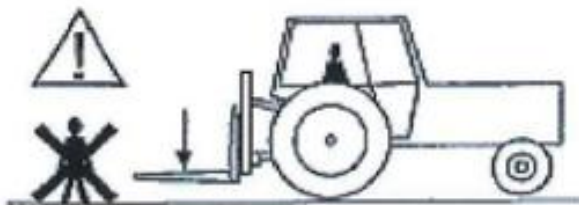
Fig. 1



Fig. 2



Fig. 3



## Machine application

### Technical data

Weight:	16 kg + load attachment
Length:	1500 mm – 2100 mm
Width:	1140 mm
Hight:	1250 mm

The UM 7762 Combigrip, with 1 double-acting cylinder and anti-slip valve, is a versatile product primarily designed for picking up collapsed round bales from a stack without damaging the plastic.

It can also handle round bales in various ways, including for handling square bales, all with a maximum weight of 1100 kg.

The Combigrip is designed for mounting on the tractor's front loader. Underhaug cannot guarantee the strength and/or twisting of the tractor's loading equipment and front axle.

### Operating new equipment

Mount the gripping arm to the main frame and the hydraulic cylinder. Insert the bolts and secure them with the Ø8x45 locking pins. This is easiest to do by first attaching the main frame to the front loader.

### Connection to the tractor

The Combigrip is attached to the front loader and secured. The load securing points are welded in place at the factory in advance, according to the customer's specifications. The hydraulic hoses are connected to a double-acting control valve, which operates the unit. The front loader must have a hydraulically adjustable implement hitch. It is also possible to mount the Combigrip at the rear of the tractor, but this limits its functionality significantly.

## **Use of the Combigrip**

Move the gripping arm to the outer position before driving the grabber towards the bale. Press the arms against the bale so that it is securely gripped. Lift the bale.

When picking up round bales from a stack, this is easiest done by gripping the bale at the upper edge with the front gripping arm and at the lower edge with the rear gripping arm.

Position the Combigrip in the outer position, gently clamp and break down the outer gripping arm at the upper edge "behind" the bale, then squeeze while simultaneously driving forward slightly with the rear gripping arm until the bale is securely gripped. Lift the bale out of the stack without damaging the remaining bales.

For stacking vertically, the bale is held in the same way, and when releasing the outer gripping arm with the bale hanging directly above where it is to be stacked, it is tipped into place.

The round bales can also be stacked standing on their ends.

## **NB!!! IMPORTANT INFORMATION!!!**

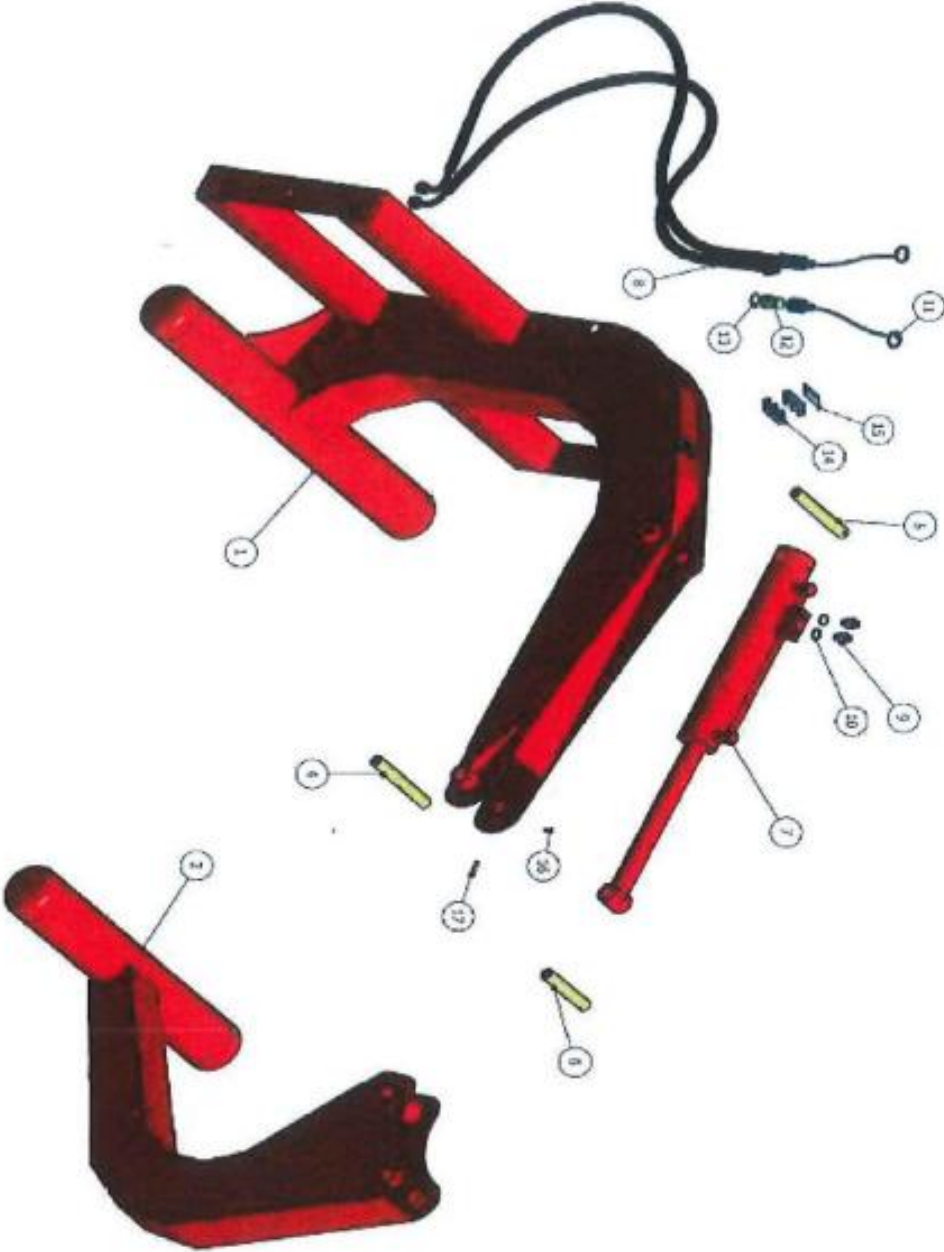
**Due to the design solution of the Combigrip and the many ways to handle the bales, Underhaug cannot, for safety reasons, recommend transporting bales along public roads with this equipment. If this is done, it will be at your own risk.**

## **Maintenance**

Avoid exposing the cylinder to aggressive environments. Grease the piston rod or fully extend the gripping arm during long-term storage. Lubricate all 4 lubrication points daily. Keep the bale grabber clean. Avoid dirt on the hydraulic connections. Protect shiny parts from rust. Grind down any sharp edges on the gripper rollers and frame.

SPARE PARTS

FIG. 1, UM-7762



## SPAREPARTS UM 7762

Ref.	Part no.	Qty.	Item
1	185010	1	Frame welded
2	185040	1	Clamp welded
4	185060	1	Hinge bolt
5	185061	1	Cylinder bolt
6	185062	1	Piston rod bolt
7	185075	1	Hydraulic cylinder
8	411745	2	Hydr.hose 3/8", 1500 mm
9	410747	2	Adapter 3/8"
10	821671	2	Dofti gasket 3/8"
11	190965	2	Dust cap
12	190963	2	ISO coupling
13	190964	2	Dofti gasket
14	190922	2	Clamp double
15	190927	1	Clamp plate
16	873540	4	Grease nipple M6 Straight
17	430149	3	Split pin 8x45 mm



## EU - DECLARATION OF CONFORMITY

### Responsible person

Name	Atle Årslund
Position	General Manager
Company	Underhaug AS
Address	Torlandsvegen 3 4365 Nærbø, NORWAY
Phone	+47 51 43 49 78

### Declares that the following machine:

Manufacturer:	Underhaug AS
Type:	<i>UM 7762 Combigrip</i>
Serial Number:	
Production Year:	

complies with the following directive:

Maximum regulation 554 (for 2009-05-20-554) and meets essential health and safety requirements.

Basic standard ISO 12100

A handwritten signature in blue ink, appearing to read "Atle Årslund".

---

Atle Årslund

---

Nærbø, date



Torlandsvegen 3 – P.Box 183

N-4367 Nærbø, Norway

Phone: +47 51 43 49 78

Email: [post@underhaug.no](mailto:post@underhaug.no)

[www.underhaug.no/eng](http://www.underhaug.no/eng)